

Reyrolle
Protection
Devices

7PG1906 - B6

Undervoltage Changeover Relay

Answers for energy

SIEMENS
SIEMENS
siemens-russia.com

7PG1906 - B6

Undervoltage Changeover Relay



Description

The relay elements are of the attracted armature type; the L-shaped armature operating the self-reset contacts directly.

Under healthy conditions the a.c. measuring elements are energized and hold their respective contacts closed, thus energizing the d.c. output element via the full-wave rectifier.

On the occurrence of an undervoltage condition, the measuring elements will reset, thus de-energising the d.c. output element and switching the external circuits by means of the output contacts.

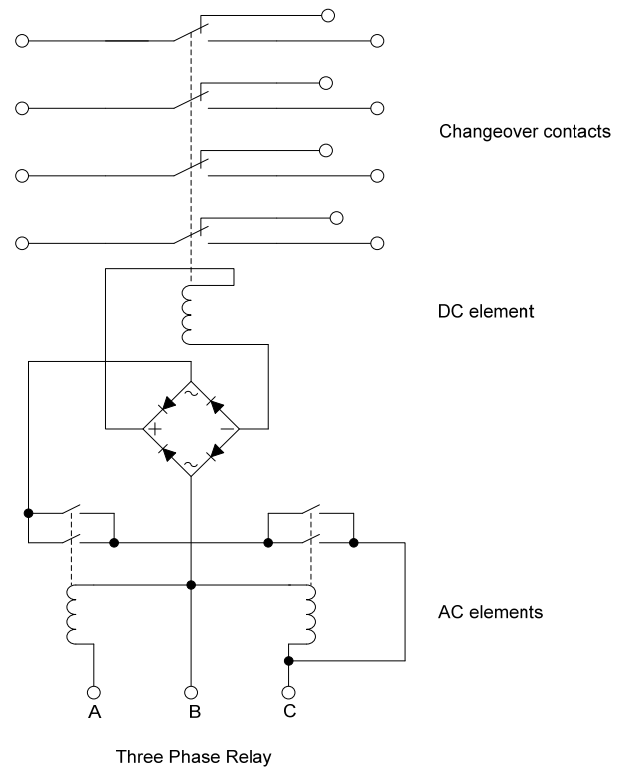
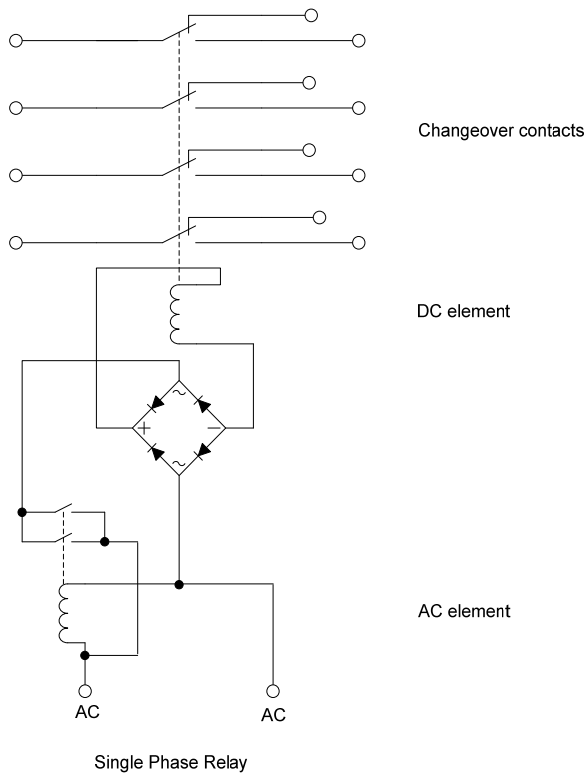
When the voltage applied to the measuring elements rises to an acceptable value, the relay will operate and return the external circuits to their original configuration.

The relay has a pick up setting of 80%, and a drop off of 64%.

Application

The type B6 relay has been specifically designed to maintain supplies in the event of either an unacceptable reduction, or total failure of the main supply; typical applications being as follows:

- 1) As a Voltage Changeover Relay which monitors the voltage magnitude of the main supply and completes an alternative supply circuit should an undervoltage condition arise. The relay ensures that a vital supply to essential equipment is maintained, e.g. Process Plant Installations.
- 2) As a Voltage Selection Relay where, for example, it is necessary to automatically switch a common metering system to an alternative feeder or duplicate busbar system, as the main system is switched over.



Technical Information

Ratings	63.5V, 110V a.c.
Operating Time	60ms
Operating Range	40 to 120% of rating

Contact Arrangement

Epsilon E4 Case 4 changeover.

Contact Rating

Making and carrying a maximum of 1500VA a.c. or 1500W d.c. within the under mentioned limits.

Voltage	660V
Current	3A continuously 8A for 3 seconds 16A for 1 second
Break	300VA a.c. or 75W d.c. (inductive) within the limits of 250V and 5A
Burden	a.c. elements 2-4 VA per element, d.c element 3W

Ordering Information

Information required when ordering.

Voltage Rating Single or Three phase

Published by and copyright © 2011:

Siemens AG
Energy Sector
Freyeslebenstrasse 1
91058 Erlangen, Germany

Siemens Protection Devices Limited

P.O. Box 8
North Farm Road
Hebburn
Tyne & Wear
NE31 1TZ
United Kingdom
Phone: +44 (0)191 401 7901
Fax: +44 (0)191 401 5575
www.siemens.com/energy

For more information, please contact our
Customer Support Center.

Phone: +49 180/524 70 00
Fax: +49 180/524 24 71 (Charges depending on provider)
E-mail: support.energy@siemens.com

Power Distribution Division Order No. E53000-K7076-C42-2

Printed in Fürth

Printed on elementary chlorine-free bleached paper.

All rights reserved.

Trademarks mentioned in this document are the property of Siemens AG, its affiliates, or their respective owners.

Subject to change without prior notice.

The information in this document contains general descriptions of the technical options available, which may not apply in all cases. The required technical options should therefore be specified in the contract.